

ORACLE APPLICATION SERVER BEANCONNECT FOR CICS 2.0

ORACLE APPLICATION SERVER BEANCONNECT FOR CICS 2.0

KEY FEATURES

- Complete JCA 1.5 features
 - Outbound and Inbound communication
 - Dialog and asynchronous communication
 - Full support for transactions

- Non-invasive Integration
 - No software running on CICS IBM z/OS System

- Tooling for Configuration and Administration
 - Management Console (MC) with Java GUI
 - Online configuration changes
 - Generation of configuration files
 - Administration and Trouble shooting

The Oracle Application Server BeanConnect for CICS 2.0 is a JCA 1.5 compliant Resource Adapter for CICS systems that facilitates service-oriented agility while allowing businesses to leverage existing resources.

Product Overview

As part of the Java 2 platform, Enterprise Edition (J2EE), the J2EE Connector Architecture (JCA) complements Web Services and BPEL in an SOA world to facilitate enterprise integration. Based on this architecture user can write new applications using J2EE technology capabilities and can also encapsulate existing Enterprise Information Systems (EIS) with Enterprise JavaBeans or JavaServer Page technologies.

Oracle Application Server BeanConnect for CICS 2.0 is a full JCA 1.5 compliant (JCA 1.5 is part of J2EE 1.4) Resource Adapter that supports connectivity to IBM CICS as EIS systems.

Oracle Application Server BeanConnect for CICS 2.0 supports a variety of communication paradigms. It enables both outbound communication (i.e. communication is initiated by the application on the application server) and inbound communication (i.e. communication is initiated by the CICS application). The communication can be transactional or non-transactional and can be executed dialog based as well as asynchronously.

RELATED PRODUCTS

- Oracle BPEL Process Manager
- Oracle Containers for J2EE (OC4J)
- OracleAS Web Services
- Oracle Adapters
- Oracle JDeveloper

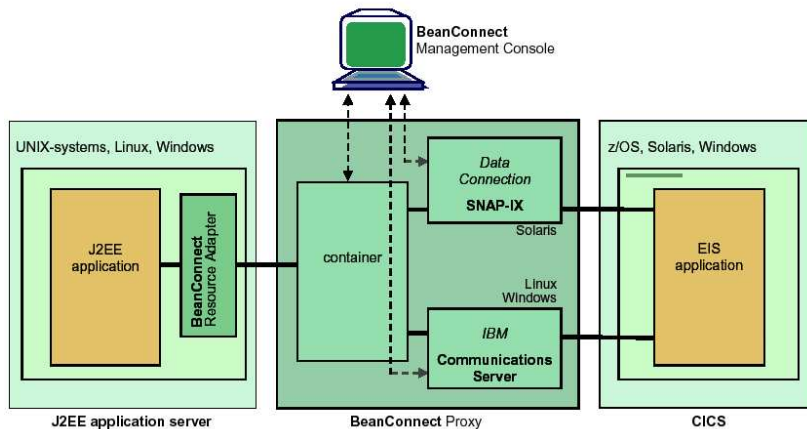


Figure1. Architecture of Oracle Application Server BeanConnect for CICS 2.0

Components

BeanConnect for CICS 2.0 consists of the following components:

**ORACLE APPLICATION
SERVER BEANCONNECT
FOR CICS 2.0**
PLATFORMS

- Windows2000, Windows Server 2003, Windows XP
- Solaris (SPARC) V8.0
- RedHat Enterprise Linux 3 (AS or ES)
- SUSE Linux Enterprise Server 8 (SLES8), 9 (SLES9)

SOFTWARE
REQUIREMENTS

- J2SE JDK as of 1.4.2_08
- Application server with JCA 1.5 conformance

**ADDITIONAL PLATFORMS
FOR BEANCONNECT
RESOURCE ADAPTER**

- HP-UX as of 11i
- HP Tru64 as of V5.1B

**ADDITIONAL SOFTWARE
REQUIREMENTS FOR
BEANCONNECT PROXY**

- SNAP-IX for Solaris, as of version 7.0.2.4 (Data Connection Ltd)
- IBM Communications Server for Linux, as of version 6.2
- IBM Communications Server for Windows, as of version 6.1.2

**ENTERPRISE
INFORMATION SYSTEMS**

- CICS as of V2.2 on z/OS as of V1.4
- CICS/TXSeries as of V5.0 on Windows and Solaris
- IBM Enterprise Extender and the ethernet (LLC2) supported as connection options

- The **BeanConnect Resource Adapter** makes the JCA interface (JCA V1.5) available to the user. It is embedded (deployed) in the J2EE application server and runs as part of the J2EE application server within the same address space.
- The **BeanConnect Proxy** represents the transactional connection between the resource adapter within the application server on the one hand and the CICS application on the other hand. It includes a proxy container based on the transaction monitor openUTM and a software gateway to support the protocol LU6.2.
- The **BeanConnect Management Console** is the Java GUI for configuring and administering the BeanConnect Proxy.

Interfaces and Protocols

BeanConnect for CICS 2.0 collaborates with the J2EE application server to provide system level mechanisms, transaction management, security and connection pooling mechanisms. It fully implements the JCA 1.5 system contracts between application server and EIS.

Contracts for outbound communication:

- Connection Management
- Transaction Management
- Security Management

Contracts for inbound communication:

- Transaction Inflow
- Message Inflow

Contracts for the resource adapter lifecycle management and thread management:

- Lifecycle Management
- Work Management

Common Client Interface

The J2EE Connector Architecture defines a Common Client Interface (CCI) for EIS access. The CCI defines a standard API for application components. BeanConnect for CICS 2.0 supports the CCI and offers an additional interface that clearly decreases the programming effort.

For communication to the CICS application the communication protocol LU6.2 is supported.

BeanConnect for CICS 2.0 supports CICS application programs that correspond to IBM's Distributed Transaction Programming (DTP) paradigm. To connect CICS application programs that use DPL (Distributed Program Link), program samples are provided. For detailed information on connecting CICS applications and programming CICS applications please refer to the Oracle Application Server BeanConnect for CICS 2.0 documentation.