

# SABRIX, PART OF THOMSON REUTERS

## Sabrix Integration for Oracle E-Business Suite Validated Integration with Oracle E-Business Suite Release 12.1



12647 Alcosta Blvd., Suite 155  
San Ramon, CA. 94583  
Tel: +1.866.472.2749  
Fax: +1.925.543.0114  
[sabrix.com](http://sabrix.com)

*Transaction tax management for companies of all sizes*

*Consolidated transaction tax management for Oracle E-Business Suite*

### Company Overview

Sabrix is part of Thomson Reuters (TSX/NYSE: TRI), a US\$13 billion company and a leading source of intelligent information for businesses and professionals. Thomson Reuters Tax & Accounting provides technology and integrated information for tax and accounting professionals. Since 2000 Sabrix has been a leading provider of transaction tax management for companies of all sizes, enabling finance, tax, and IT professionals to achieve accurate, timely, and cost-effective compliance for sales tax, use tax, value-added tax (VAT), excise tax, and other international and industry-specific taxes and fees. Sabrix Application Suite combines software for sales tax, use tax, and value-added tax automation with world-class Sabrix Tax Research, delivering SAS 70–certified tax rates and rules for the U.S. and 170 countries.

Sabrix is a Gold Level Partner in the Oracle PartnerNetwork and is part of Oracle’s Multi-Vendor Support Program (MVSP).

### Integration Overview

Companies using Oracle Order Management/Oracle Receivables and Oracle Purchasing/Oracle Payables integrated with Sabrix Application Suite have the power to obtain accurate sales and use results, along with a complete audit and compliance database from which standard and custom reports as well as returns can be generated. This is enabled by the Sabrix Integration for Oracle E-Business Suite Release 12.1 solution, which supports both order-to-cash and procure-to-pay business processes.

SabrixApplication Suite’s automated tax determination and calculation provide corporate tax departments with the means to significantly improve transaction tax accuracy and reduce compliance costs by

- Eliminating tax decisions by sales and accounting personnel – Sabrix Application Suite automatically determines and calculates tax based on the attributes of a transaction, requiring no manual tax decisions during transaction processing.
- Requiring no manual jurisdiction code or tax code assignments during transaction processing – This ensures both tax accuracy and appropriate accounting/general ledger posting.



### Validated Integration

Oracle E-Business Suite

Through the Oracle PartnerNetwork Application Integration Architecture for Partners Initiative, partners with validated integrations are able to provide customers with standards-based product integrations, tested and validated by Oracle. Customers benefit from improved risk management and smoother upgrade capability, leading to a lower total cost of ownership and greater overall satisfaction.

### Availability

+1.866.472.2749

E-mail: [sales@sabrix.com](mailto:sales@sabrix.com)

- Eliminating the need to store and maintain tax rates within Oracle E-Business Suite – Tax rules, rates, and logic are maintained within Sabrix Application Suite.

Sabrix Integration for Oracle E-Business Suite Release 12.1 was built by an in-house team of experts in compliance with Oracle's third-party independent software vendor (ISV) development guidelines. It employs standard Oracle integration techniques to enable the determination and calculation of taxes in the order-to-cash and procure-to-pay business processes. In each of these application areas, Sabrix Integration for Oracle E-Business Suite Release 12.1 offers enhanced flexibility that enables the passing of additional customer-specific data elements, which can be critical for the accurate determination of usage and taxability within Sabrix Application Suite.

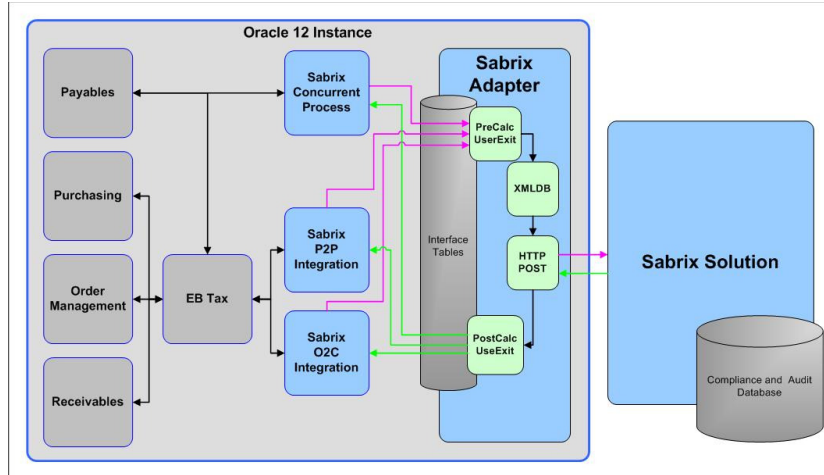
Advanced features include

- Automation of the Oracle E-Business Tax setup process, making implementation and deployment easier, faster, and less error-prone
- Robust vendor-charged tax and accrual functionality for procure-to-pay process flows, including tax determination and calculation on purchase orders, validation of vendor-charged tax on accounts payable invoices, and accrual for sales tax

### Integration Details

Sabrix Integration for Oracle E-Business Suite Release 12.1 integrates with Oracle E-Business Tax and is validated with Oracle Order Management, Oracle Receivables, Oracle Purchasing, and Oracle Payables. When these applications encounter a business process that requires tax, all such calls are routed to Sabrix Integration for Oracle E-Business Suite Release 12.1, which is installed within Oracle E-Business Suite.

Sabrix Integration for Oracle E-Business Suite Release 12.1 uses the Oracle E-Business Tax interface to communicate with Oracle E-Business Suite. This solution utilizes the standard Oracle E-Business Tax framework and APIs designed for third-party tax providers. It receives tax-relevant data via a set of PL/SQL packages that map and create an HTTP(S) request to be sent via Oracle E-Business Tax -provided functions to Sabrix Application Suite in XML format. Requests to Sabrix Application Suite are processed and appropriate tax results are returned via HTTP(S) and mapped to the Oracle E-Business Tax APIs. By leveraging the standard Oracle E-Business Tax APIs, Sabrix Integration for Oracle E-Business Suite Release 12.1 provides end-to-end integration for automating tax determination and calculation.



**Sabrix Integration for Oracle E-Business Suite Release 12.1 system architecture**

## Environment

### *Sabrix Environment*

Sabrix Application Suite version 5

Sabrix Integration for Oracle E-Business Suite Release 12.1, version 5

### *Oracle Environment*

Oracle E-Business Suite Release 12.1 (Oracle Order Management, Oracle Receivables, Oracle Purchasing, Oracle Payables)

Oracle Database 11g Release 11.1.0.7

For additional information about partnering with Oracle, please contact [opninfo\\_us@oracle.com](mailto:opninfo_us@oracle.com) or visit [partners.oracle.com](http://partners.oracle.com).

Oracle is a registered trademark of Oracle Corporation and/or its affiliates. Other names may be trademarks of their respective owners.