

Oracle Communications Subscriber-Aware Load Balancer

Oracle Communications Subscriber-Aware Load Balancer enables linear, non-disruptive scaling of capacity up to millions of subscribers from a single Session Initiation Protocol (SIP) Internet Protocol (IP) address. It supports the delivery of any IP Multimedia Subsystem (IMS), Rich Communications Services (RCS), or next-generation network (NGN) service as well as any SIP application—voice, video, presence, messaging, and multimedia—over any mobile or fixed line access network, including the internet.

OVERVIEW

Oracle Communications Subscriber-Aware Load Balancer (SLB) is used to front-end clusters of Oracle Communications Session Border Controller (SBC) for SIP signaling. The Oracle SLB is a high-performance subscriber-aware load balancer optimized for clustering SBCs. It provides dynamic, adaptive load balancing of subscribers based on SBC availability and health score, subscriber capacity, system utilization, and user defined policies.

The Oracle SLB features carrier-grade high availability. Deployed as 1:1 active-standby units, Oracle SLB checkpoint configuration and cluster state to ensure no loss of active sessions in the event of single system failures.

An Oracle SBC cluster scales subscriber capacity without requiring architectural forklifts or network disruptions. As all elements of the cluster are SIP subscriber and session-aware, it provides a superior solution in terms of scalability, dynamic adaptive load balancing, redundancy, and management compared to traditional load balancers and SIP redirect servers.

LINEAR, NON-DISRUPTIVE SBC CAPACITY

Applications

- Session border controller (SBC) clustering
- Any subscriber-based IP Multimedia Subsystem (IMS) or non-IMS service
- Any private or public, fixed or mobile access network

HIGH-CAPACITY, HIGH-THROUGHPUT ACCESS SBC CLUSTERS

Oracle Communications Subscriber-Aware Load Balancer enables the creation of Oracle Communications Session Border Controller clusters that can each support up to millions of subscribers from a single IP address for SIP signaling.

Real-time Transport Protocol (RTP) media flows directly from endpoints to the SBCs maximizing cluster throughput and minimizing media latency.

DYNAMIC, ADAPTIVE STATEFUL LOAD BALANCING

Oracle Communications Subscriber-Aware Load Balancer distributes subscribers to specific SBCs in the cluster at time of registration based upon SBC availability, health score, capacity, and current load. This information is exchanged between SBCs and Oracle SLB using an intra-cluster protocol. Moreover, if the cluster is composed of different members such as a mix of appliance SBCs with different capacity or a mix of appliance and virtualized SBCs, Oracle SLB uses each individual member's performance characteristics so as to optimize performance of the cluster as a whole without overloading slower members.

SBCs can be easily added or even removed from the cluster without any service disruption, assuming that sufficient capacity exists in the cluster. Subscribers are redistributed across the reconfigured cluster only when they do not have active calls or sessions in progress.

LOW-LATENCY

Oracle SLB binds subscriber to member Oracle SBC based on loading and subscriber geography. Once binding is established, it utilizes "fast-path" to perform packet forwarding of subsequent signaling messages leading to low latency.

SLB VIRTUALIZATION

Oracle SLB can be run as a Virtual Network Function (VNF). Supported hypervisors for Oracle SLB –Virtual Network Function include:

- Oracle Virtual Machine (OVM),
- Kernel-Based Virtual Machine (KVM),
- VMware ESXi.

Supporting a virtualized function in a public cloud requires meeting special requirements. Public clouds have very specific guidelines such as IP addressing usage, hypervisor selection and I/O mode to provide security and integrity for all its tenets. Oracle Communications Subscriber-Aware Load Balancer software version supports deployment over Oracle Cloud Infrastructure (OCI).

MANAGEMENT AND ORCHESTRATION (MANO)

Oracle Communications offers VNFs for session management, service delivery platforms including SBCs, load balancing, core network signaling management and policy management. Oracle's strategy is based on providing carrier grade VNFs that can be orchestrated in a flexible manner by a variety of environments, including the major industry orchestration and automation third party offerings.

The Oracle SLB supports REST API to automate instantiation, enable remote configuration and perform monitoring of SLB VNFs.

Key Features

- Adaptive, session-aware load balancing of SIP sessions
- Dynamic expansion and contraction of subscriber capacity
- Intracluster protocol for state exchange between Oracle Communications Subscriber-Aware Load Balancer and SBC cluster members
- Low-latency control plane
- Geographical distribution of SBC clusters
- Carrier-grade high availability

Key Benefits

- Maintains cluster wide subscriber awareness and SBC utilization for intelligent SBC selection and rebalancing
- Scales to support up to millions of subscribers with no additional signaling latency
- Delivers greater security than SIP-aware load balancers
- Simplifies endpoint management
- Protects against site disasters and loss of connectivity
- Satisfies all access border control requirements
- Protects SBC investment
- Allows cluster composed of heterogeneous members and protects each against overload

CATALYST TO VIRTUALIZATION

Oracle Communications Subscriber-Aware Load Balancer helps operators' transition to virtualization by enabling an incremental introduction of virtualized SBCs in hybrid clusters alongside purpose build SBCs.

Hybrid clusters can support multiple services, applications, and access networks.

- Any service: Mobile, residential, or enterprise
- Any application: Voice, video, presence, messaging, videoconferencing, content and video share, unified communications, and collaboration
- Any access network: 3G, Long-Term Evolution (LTE), Worldwide Interoperability for Microwave Access (WiMAX), DSL, cable, fiber to the x (FTTx), leased line, internet, IPv4, IPv6, and IPv4/IPv6 interworking.

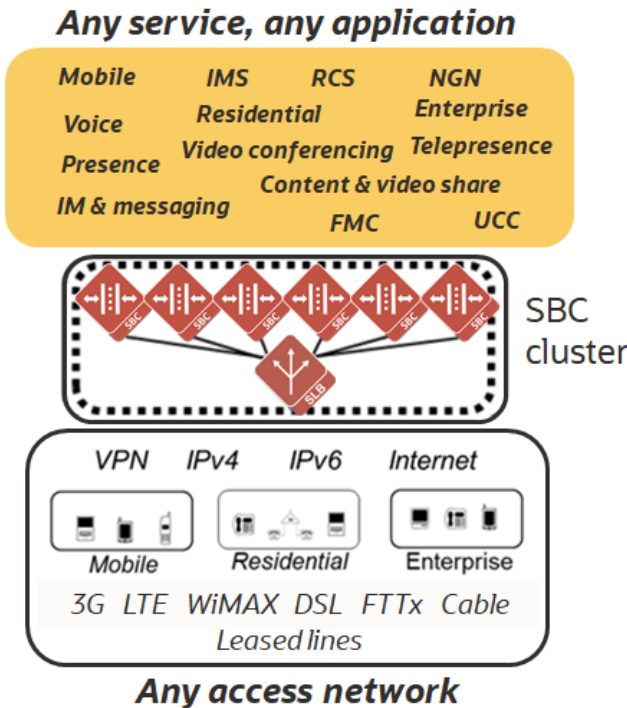


Figure 1. An Oracle Communications Session Border Controller cluster can be virtualized to physically support multiple services, applications, and access networks

CO-LOCATED OR GEOGRAPHICALLY DISTRIBUTED DEPLOYMENT MODELS

To enable geographic distribution and preserve IP endpoint address transparency, the Oracle Communications Subscriber-Aware Load Balancer uses IP-in-IP encapsulation Request for Comment 2003 (RFC 2003) to forward traffic to the SBC.

The following deployment models provide geographic redundancy and network resiliency:

- **Co-located SBC cluster:** Oracle SLBs and SBCs are physically co-located in the same data center or aggregation Point of Presence (POP)
- **Distributed SBC cluster:** Oracle SLBs and SBCs are physically distributed and separated from each other. Each Oracle Communications Subscriber-Aware Load Balancer only has access to a specific group of SBCs. This solution provides geographic redundancy

Network Session Delivery And Control Infrastructure

Oracle's network session delivery and control infrastructure helps enterprises and service providers to manage the many challenges in the delivery of IP voice, video, and data services and applications. Service provider solutions are deployed at network borders and in the IP service core to help fixed-line, mobile, wholesale, and over-the-top service providers optimize revenues and realize long-term cost savings. In the enterprise, session delivery infrastructure solutions seamlessly connect fixed and mobile operators, enabling rich multimedia interactions and automating business processes for significant increases in productivity and efficiency. The following Oracle products are part of the network session delivery and control infrastructure.

Related Products

- Oracle Communications Session Border Controller
- Oracle Communications Session Router
- Oracle Communications Subscriber-Aware Load Balancer
- Oracle Communications Core Session Manager
- Oracle Enterprise Session Border Controller
- Oracle Communications Session Delivery Manager
- Oracle Communications Operations Monitor

INVESTMENT PROTECTION

The Oracle Communications Session Border Controller cluster supports existing Oracle SBC investment and can be comprised of a heterogeneous mix of SBC hardware platforms and VNFs. It also supports all Access SBC (A-SBC) configurations such as A-SBC with Proxy Call Session Control Function (P-CSCF) and IMS Access Gateway (IMS-AGW), P-CSCF signaling function only or A-SBC only.

CARRIER GRADE SBC FUNCTIONS AND FEATURES INCLUDING NET-SAFE SECURITY

The Oracle Communications Session Border Controller cluster solution supports all of Oracle's carrier grade SBC functions and features in the areas of security, service reach maximization, service-level agreement (SLA) assurance, revenue protection, and regulatory compliance.

The Oracle Net-SAFE security framework addresses the unique security challenges of delivering SIP-based interactive IP communications over the Internet. The Net-SAFE framework includes advanced security features, a highly-scalable architecture, and comprehensive monitoring and reporting capabilities.

CENTRALIZED MANAGEMENT

Cluster configuration and provisioning can be performed by Oracle Communications Session Delivery Manager, which manages the cluster as a single virtual SBC. From Oracle Communications Session Delivery Manager, SBCs can be added to or removed from the cluster, subscribers can be migrated, and software can be upgraded.

CONNECT WITH US

Call +1.800.ORACLE1 or visit oracle.com.
Outside North America, find your local office at oracle.com/contact.

 blogs.oracle.com

 facebook.com/oracle

 twitter.com/oracle

Copyright © 2020, Oracle and/or its affiliates. All rights reserved. This document is provided for information purposes only, and the contents hereof are subject to change without notice. This document is not warranted to be error-free, nor subject to any other warranties or conditions, whether expressed orally or implied in law, including implied warranties and conditions of merchantability or fitness for a particular purpose. We specifically disclaim any liability with respect to this document, and no contractual obligations are formed either directly or indirectly by this document. This document may not be reproduced or transmitted in any form or by any means, electronic or mechanical, for any purpose, without our prior written permission.

Oracle and Java are registered trademarks of Oracle and/or its affiliates. Other names may be trademarks of their respective owners.

Intel and Intel Xeon are trademarks or registered trademarks of Intel Corporation. All SPARC trademarks are used under license and are trademarks or registered trademarks of SPARC International, Inc. AMD, Opteron, the AMD logo, and the AMD Opteron logo are trademarks or registered trademarks of Advanced Micro Devices. UNIX is a registered trademark of The Open Group. 0720

Disclaimer: This document is for informational purposes. It is not a commitment to deliver any material, code, or functionality, and should not be relied upon in making purchasing decisions. The development, release, timing, and pricing of any features or functionality described in this document may change and remains at the sole discretion of Oracle Corporation.

