

Oracle Adapters for SAP

ORACLE ADAPTER FOR SAP

KEY FEATURES

- Comprehensive SAP Connectivity
 - Versions 3.1H to 4.7
 - All modules across all versions
 - RFCs, IDOCs, BAPIs, custom RFCs, BAPIs and IDOCs
 - No coding required
 - No knowledge of SAP API required

- Standards based support
 - JCA 1.5
 - XML
 - WSDL
 - WSIF

- Easy-to-use Rich Design-time
 - Browse/search interfaces
 - Interface with SAP Business Object Repository (BOR)
 - Generate JCA and Web Services

- Robust Proven Technology
 - Certified by SAP
 - Scalable and highly available

The Oracle Adapter for SAP R/3 provides comprehensive, bi-directional, standards-based, real-time connectivity to SAP R/3, mySAP Business Suite, and SAP Portals application systems. The Adapter supports both JCA and Web Service standards for creation of open and reusable service-oriented applications (SOA). High-speed, low-impact, non-intrusive access to and from SAP exposes the critical business logic and data contained with SAP for reuse: the key to building a successful e-business application or integrated enterprise.

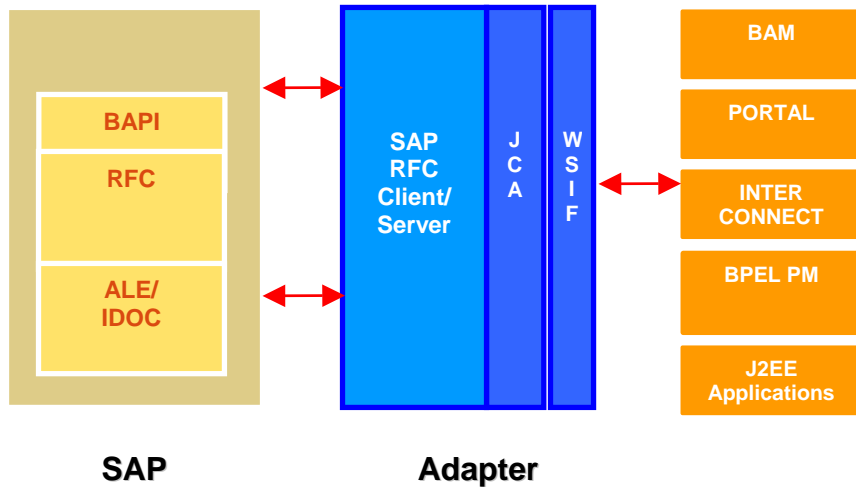


Figure 1: Oracle Adapter for SAP Architecture Diagram

Comprehensive SAP Connectivity

The Adapter provides bi-directional connectivity to SAP. The adapter communicates with SAP R/3 using the Remote Function Call (RFC) protocol and supports RFC, Business Application Programming Interfaces (BAPI) and Application Link Enabling (ALE) access

The Adapter adheres to the SAP ABAP serialization rules published by SAP and supports RFC-BAPI, RFC-IDOC, and SAP IRF XML formats enabling a

KEY BENEFITS:

- Comprehensive SAP connectivity
- Built on a standards based scalable architecture
- Rapid development and deployment

RELATED PRODUCT AND SERVICES

The Oracle Adapter is part of the Oracle Fusion Middleware product family. Related products include:

- Oracle BPEL Process Manager
- Oracle AS Portal
- Oracle AS Business Activity Monitoring (BAM)

RELATED SERVICES

The following services are available from Oracle Support Services:

- Update Subscription Services
- Product Support Services
- OnlineDBA
- OnlineDBA for Applications

uniform development and integration environment. No modifications or recoding is necessary on the SAP R/3 system. It can synchronously invoke RFC and BAPI calls against SAP and asynchronously receive IDOC events from SAP. The Adapter supports SAP transactional RFC ensuring guaranteed delivery of SAP IDOC events.

Simple and Easy to use Design Time Graphical Interface

The Adapter provides a unique design time experience for SAP and generates XML representations of IDOCs, RFCs and RFC-BAPIs by interfacing with SAP's Business Object Repository (BOR).

The design-time tool exposes the Adapter Services as a JCA/Web Service in few simple clicks and enables rapid implementation. Users can browse or search for specific IDOCs, BAPIs and RFCs. Since this introspection is dynamic, all custom written or extended interfaces are available for use. Every available RFC module and BAPI has a unique name and each can accept import or export parameters.

Standards Support

Oracle Adapter for SAP is based on open standards and exposes the underlying SAP functionality as JCA and Web Services.

The Oracle Fusion Middleware product components are seamlessly and rapidly integrated with the SAP system through these standard interfaces.

Complete Management through the Oracle Application Server

The Adapters are deployed on top of Oracle Application Server and leverage it for scalability and high availability. The Oracle Application Server enables the user to monitor and manage the Adapter Life-cycle.

These capabilities are available out of the box with no additional software requirements.

Summary

Oracle Adapter for SAP offer the most complete connectivity solution for SAP. It delivers unique features to minimize the implementation effort and maximize the effectiveness of the solution.